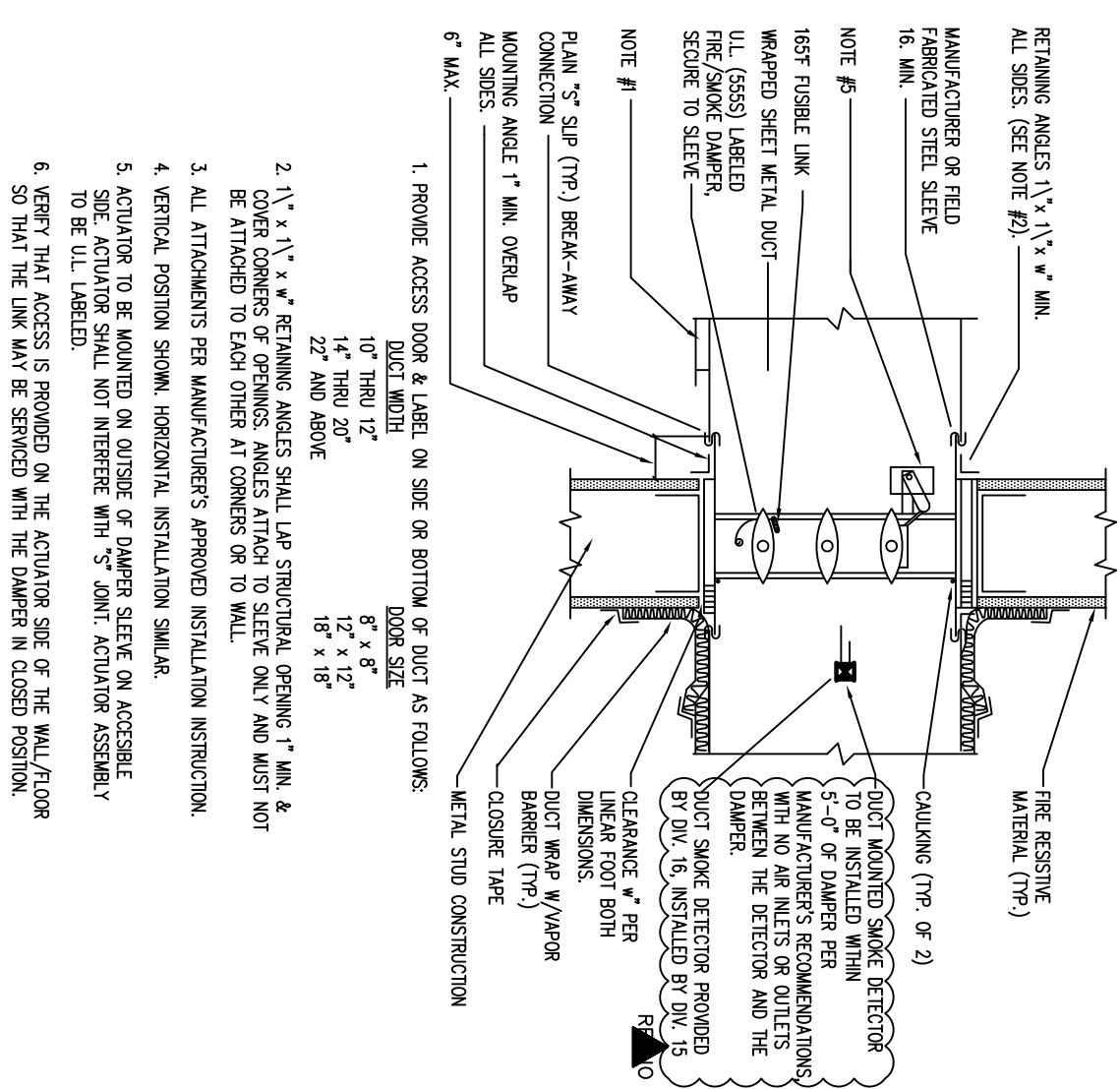
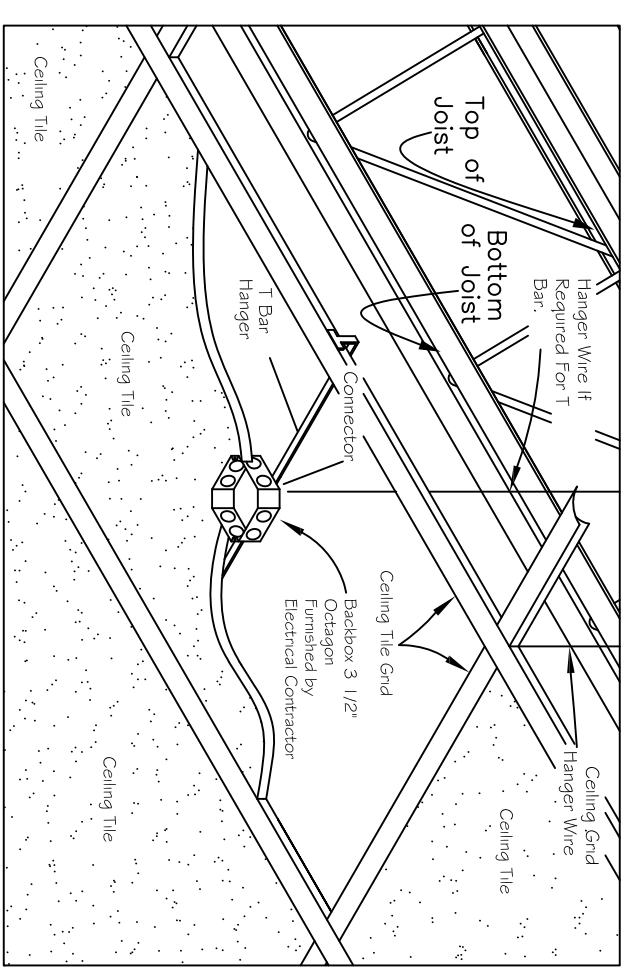


FIRE DAMPER DETAIL

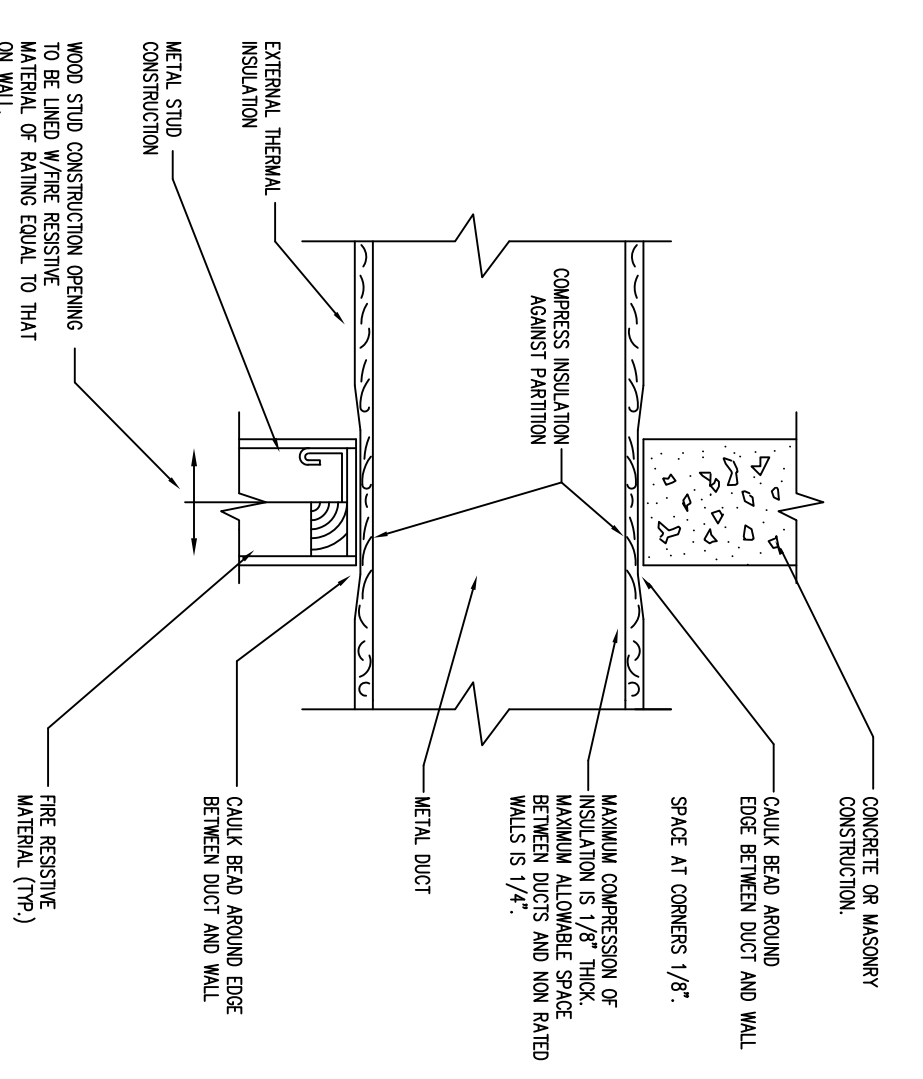


SMOKE DETECTOR (CEILING)

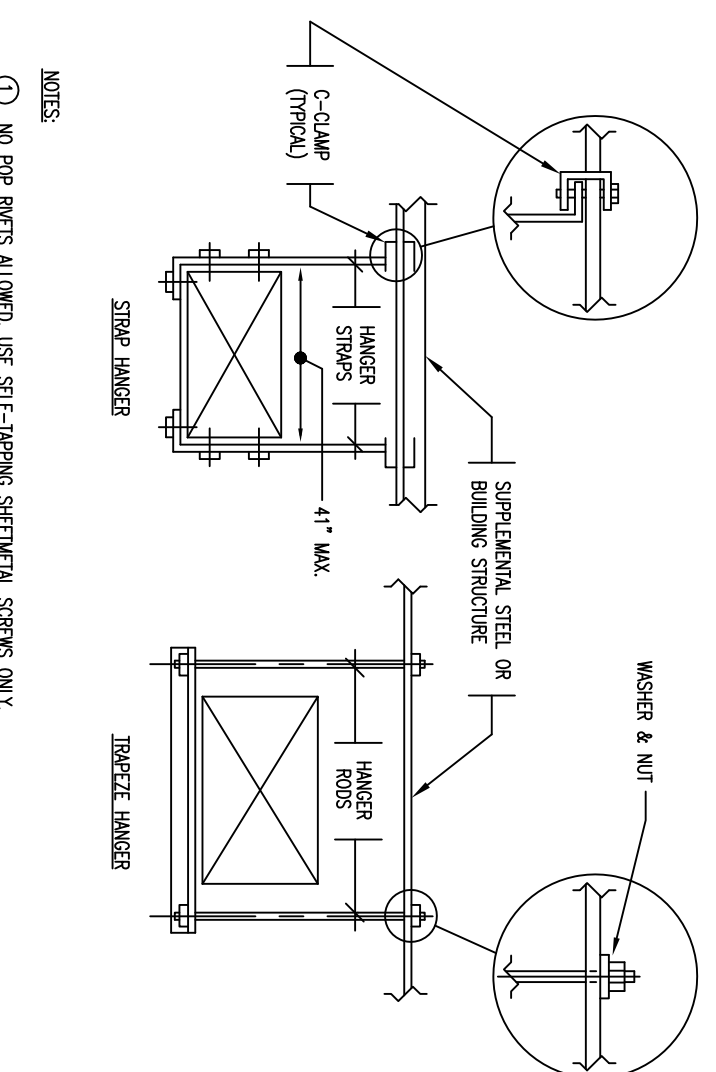


NOTES:
 1. ALL SPACES TO BE W/48 PER M.C. 206
 2. REFER TO MANUFACTURER'S INSTALLATION INSTRUCTIONS FOR W/48 PER M.C. 206
 3. PROVIDE ACCESS TO THE DETECTOR FOR THE W/48 PER M.C. 206

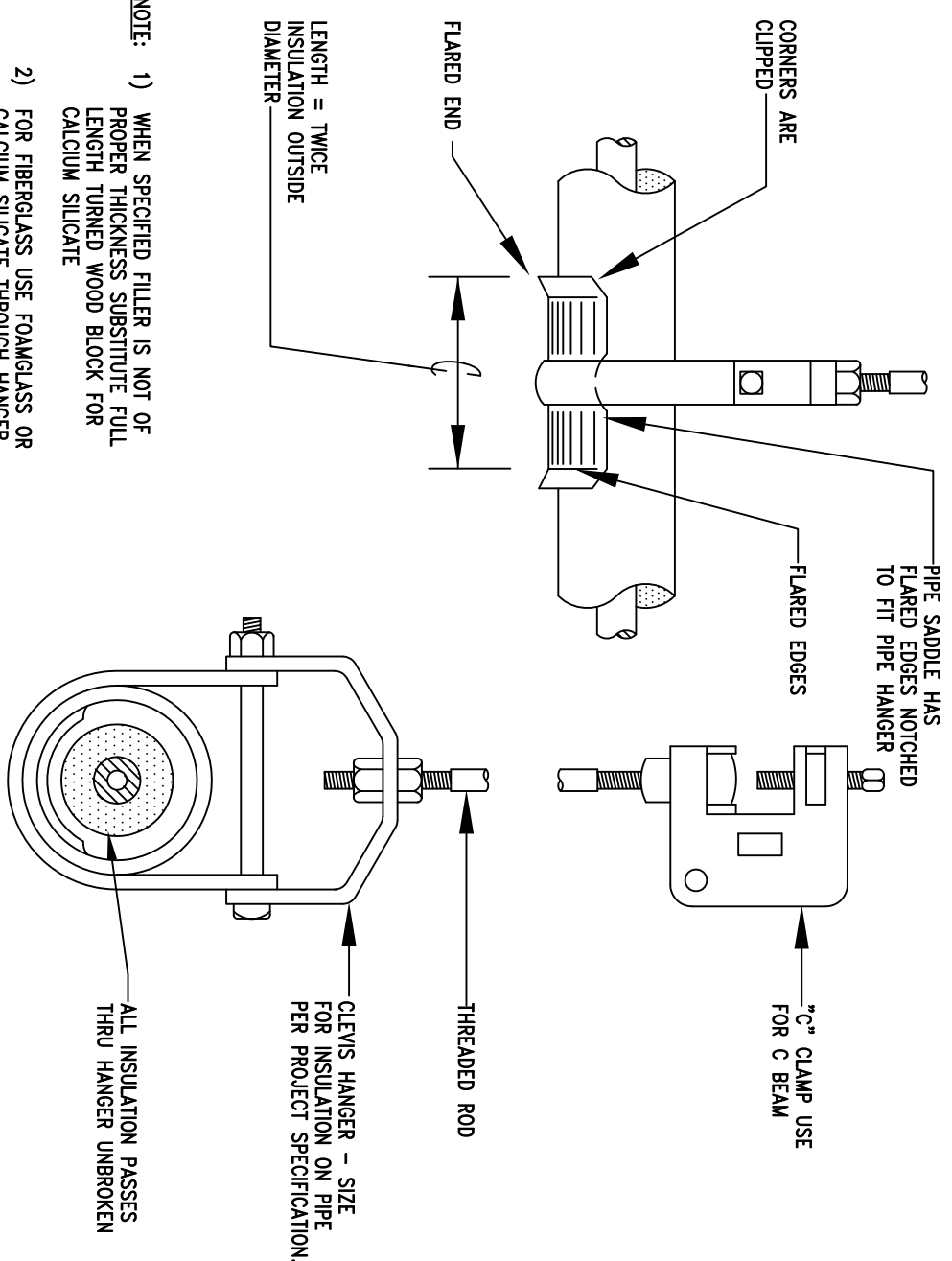
NON-RATED PENETRATIONS



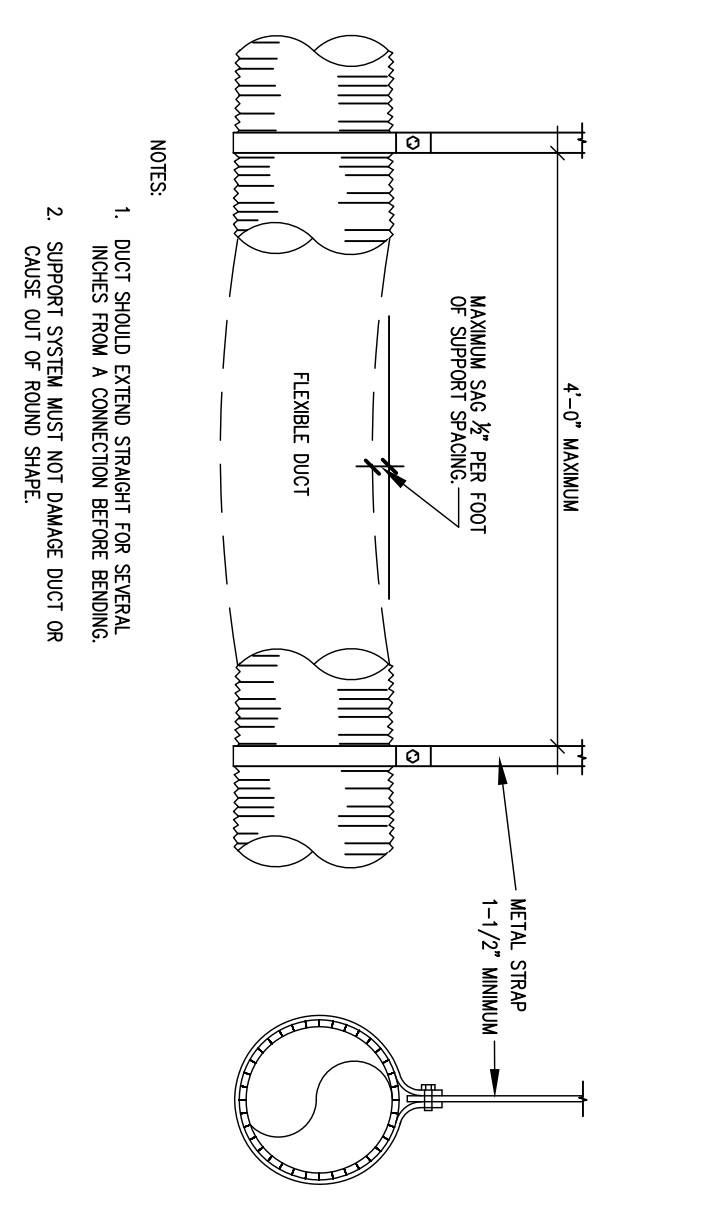
RIGID DUCT HANGER



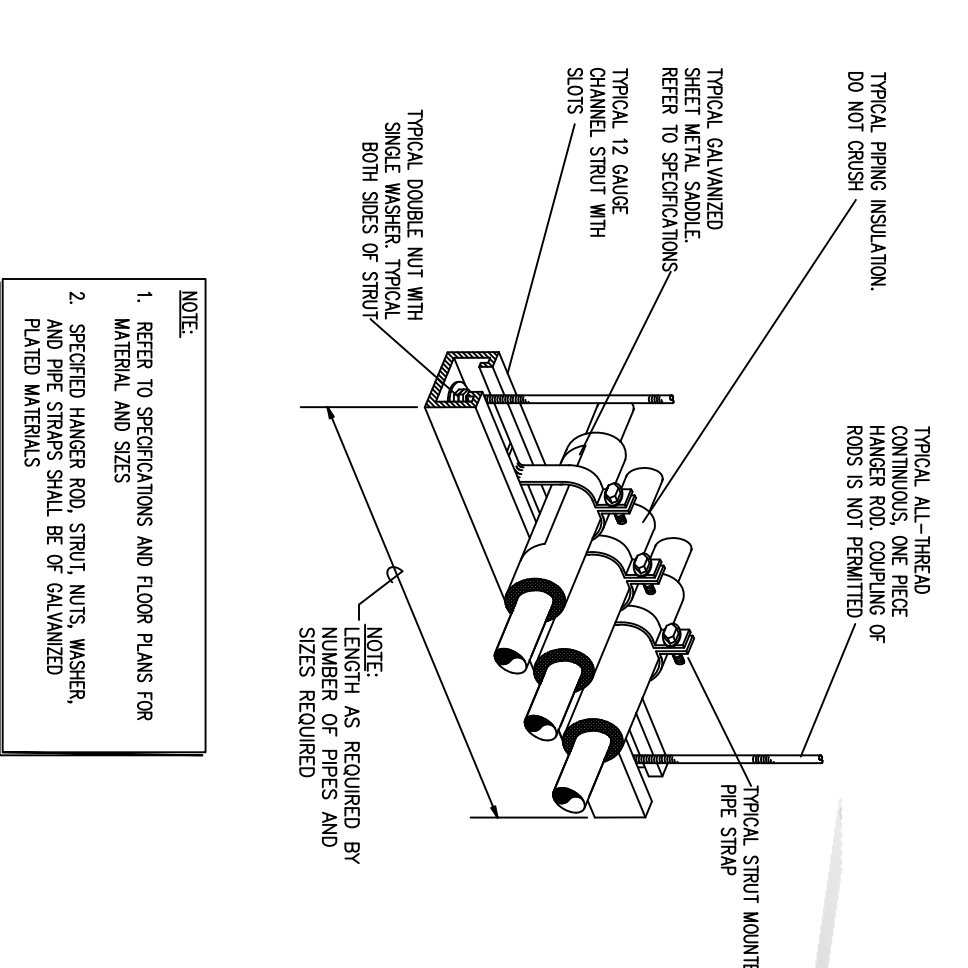
PIPE HANGER DETAIL



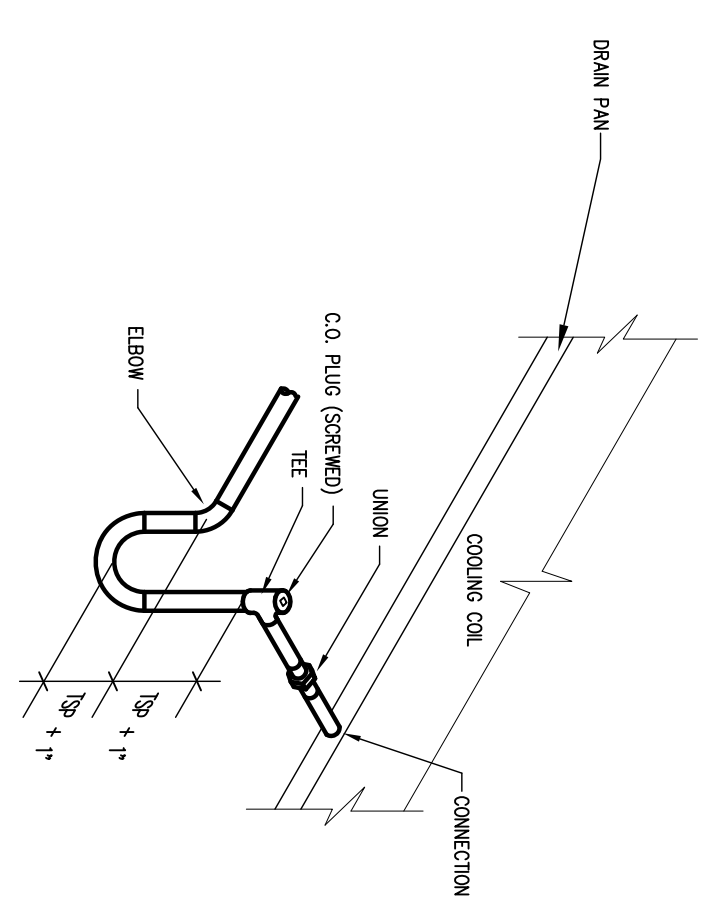
FLEX DUCT HANGER



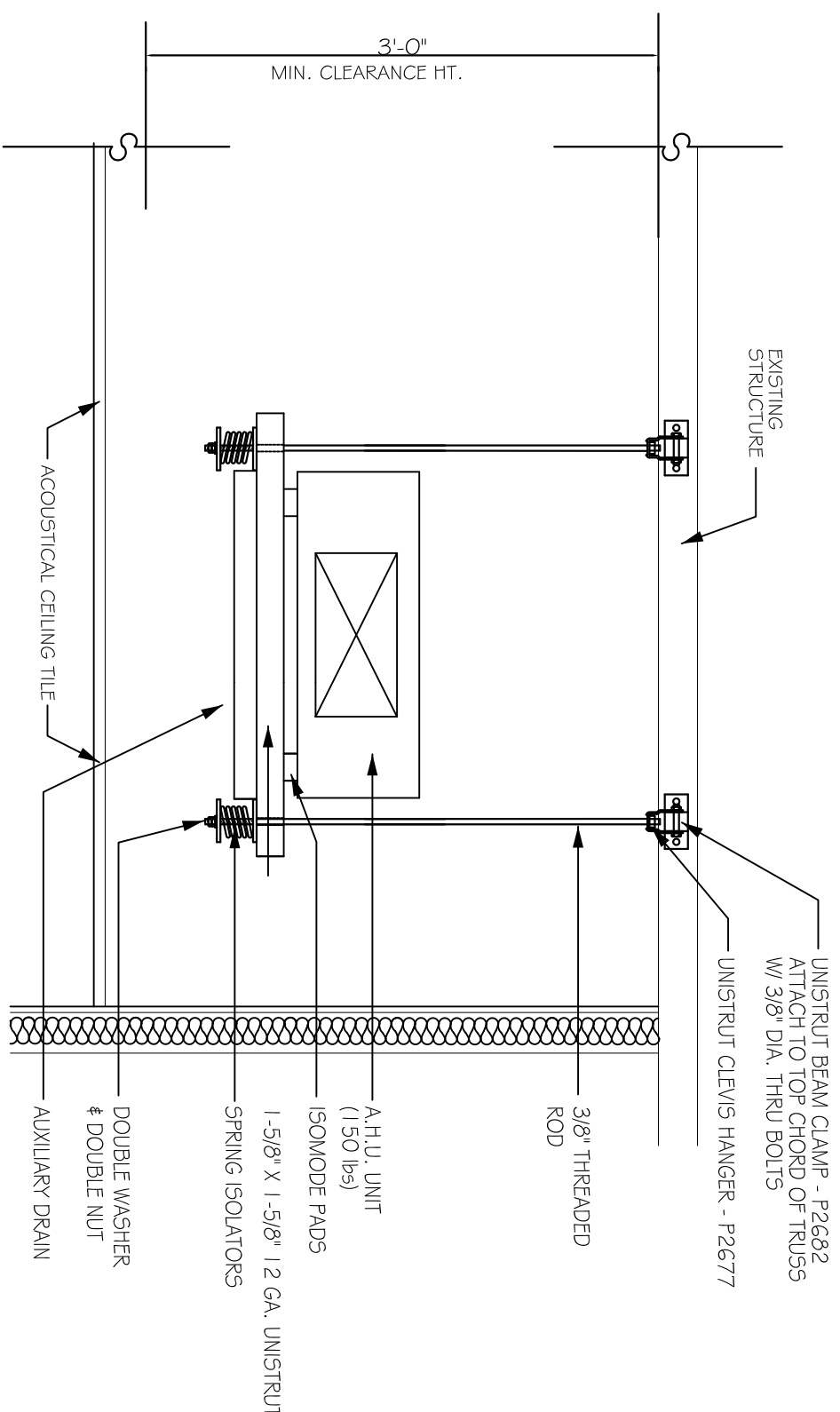
REFRIG. PIPE SUPPORT



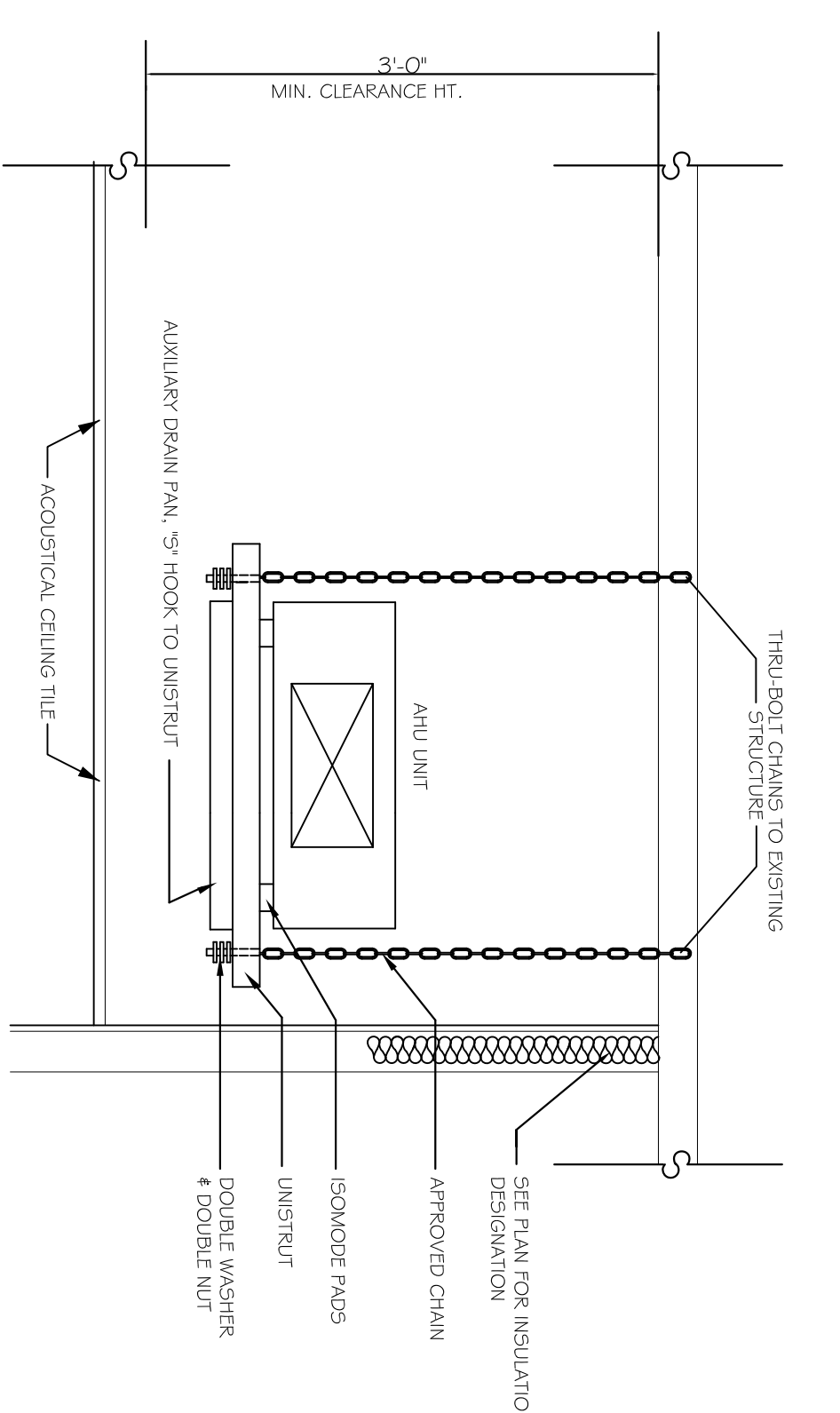
CONDENSATE PIPING DETAIL



AHU ATTIC SUPPORT (THREADED RODS)



AHU ATTIC SUPPORT (CHAINS)



YATES ASSOCIATES ARCHITECTURE INC.
 ARCHITECTURE • INTERIOR DESIGN • PLANNING

AA-26001673
 215 SOUTH OLIVE, SUITE 500
 WEST PALM BEACH, FL 33401
 TEL: 561-653-8280 FAX: 561-653-9279
 WWW.YATESARCHITECTURE.COM
 EMAIL: KELLY@YATESARCHITECTURE.COM

DATE: MAY 15, 2011
 JOB NO: 11-0418
 DESIGN BY: K.D.M.
 DRAWN BY: D.C.M.
 APPROVED: K.D.M.
 REVISIONS:

A NEW RETAIL STORE FOR:
GOLD COAST FEED
 13501. SOUTHSORE DRIVE
 WELLINGTON
 FLORIDA

PERMIT
 SUBMITTAL
 SET
 5-24-11

SEAL

KELLY D. YATES
 FLORIDA AR 13706

SHEET NO.

M-2

OF 5 SHEETS

Copyright © 2011 Yates Architecture Inc.